

REPAIR PARTS MANUAL
MODEL NO. 254601
Lawn Tractor



435139

HOW TO USE THIS MANUAL

This manual is designed to provide the customer with a means to identify the parts on his/her tractor when ordering repair parts. The illustrations may or may not represent the actual assemblies; therefore, it is not recommended to use this manual as a guide to assemble or disassemble the tractor. Some hardware and parts are drawn larger in order to more readily identify them.

Each tractor has its own model number.

The model number for your tractor can be found on the fender under the seat.

When ordering parts, always give the following information:

- Product - "Tractor"
- Model Number - "254601"
- Part Number
- Part Description

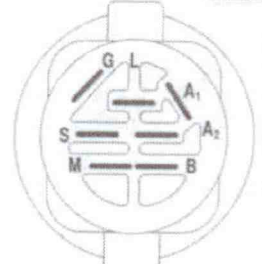
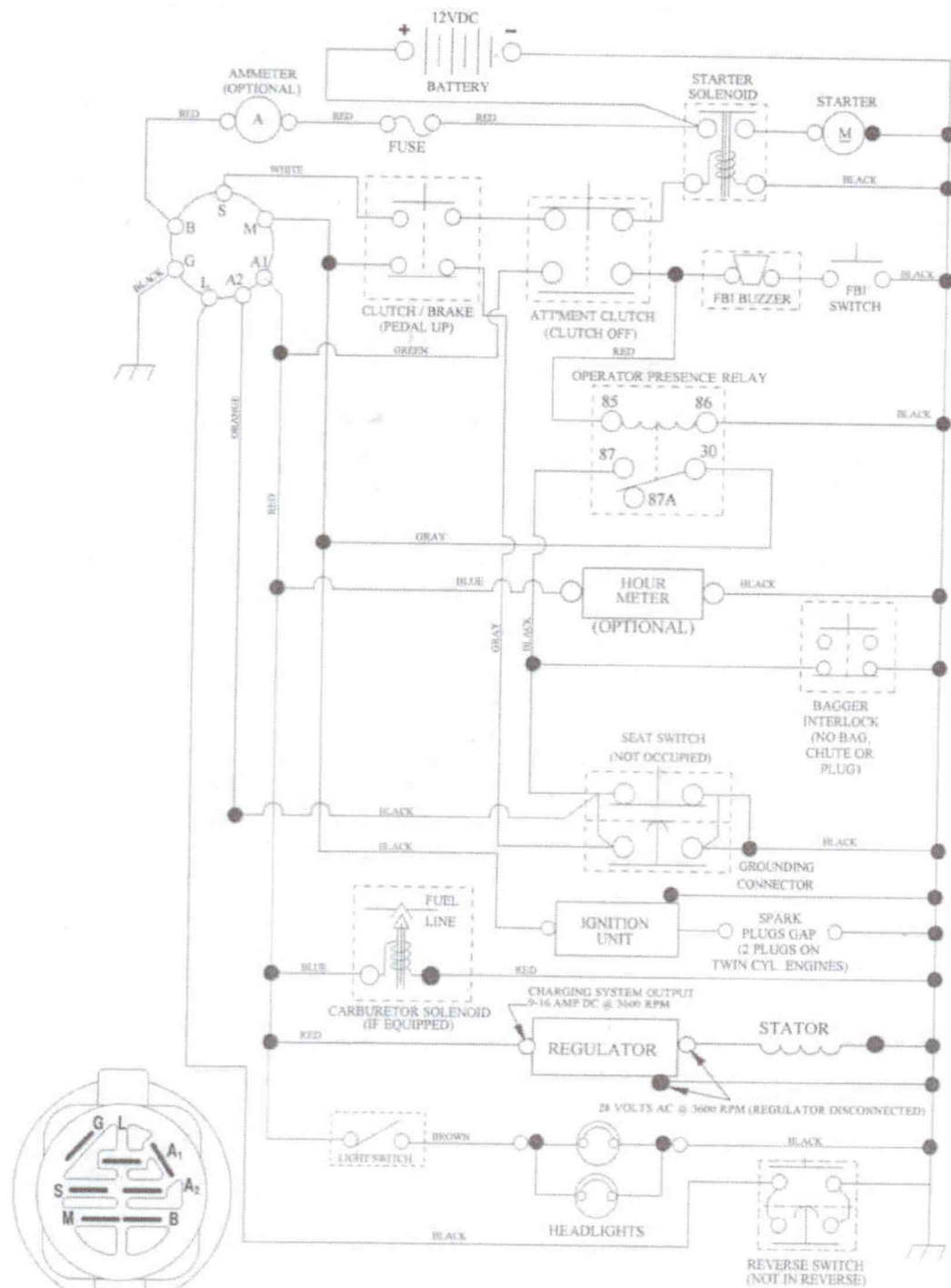
TABLE OF CONTENTS

SCHEMATIC	3
ELECTRICAL.....	4-5
CHASSIS	6-7
DRIVE.....	8-9
ENGINE.....	10-11
STEERING	12-13
SEAT	14
DECALS.....	15
MOWER DECK.....	16-17
MOWER LIFT.....	18
BAGGER.....	19
TRANSAXLE.....	20-21
ENGINE BREAKDOWN.....	22-25
WARRANTY.....	BACK COVER

SCHEMATIC

SCH07

TRACTOR - MODEL NO. 917.254601



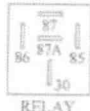
IGNITION SWITCH

POSITION	CIRCUIT	"MAKE"
OFF	M+G+A1	
RUN/OVERRIDE	B+A1	
RUN	B+A1	L+A2
START	B+S+A1	

WIRING INSULATED CLIPS
 NOTE: IF WIRING INSULATED CLIPS WERE REMOVED FOR SERVICING OF UNIT, THEY SHOULD BE RE-INSTALLED TO PROPERLY SECURE YOUR WIRING.

REMOVABLE CONNECTIONS

NON-REMOVABLE CONNECTIONS

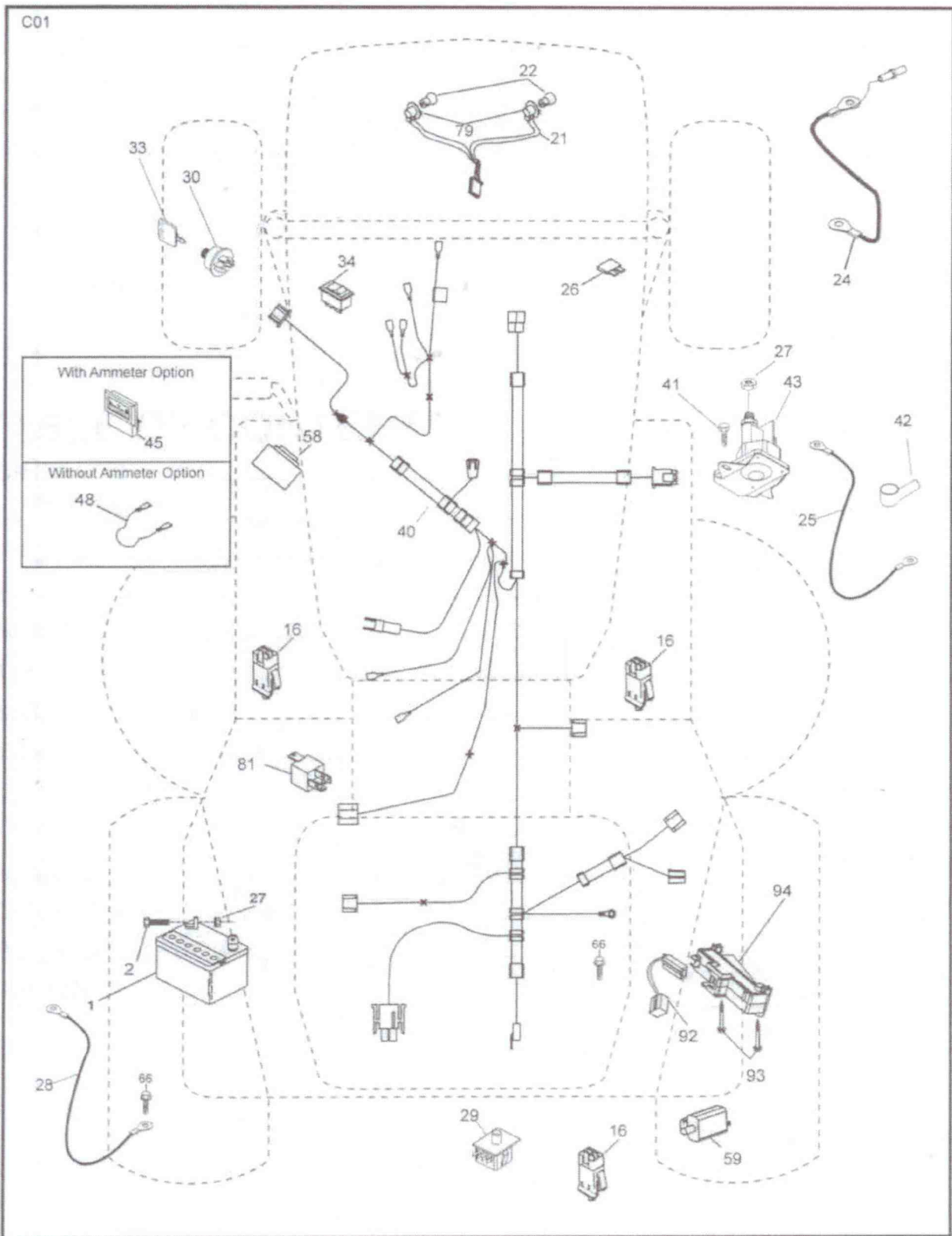


RELAY

TRACTOR- -MODEL NO. 917.254601

ELECTRICAL

C01



ELECTRICAL

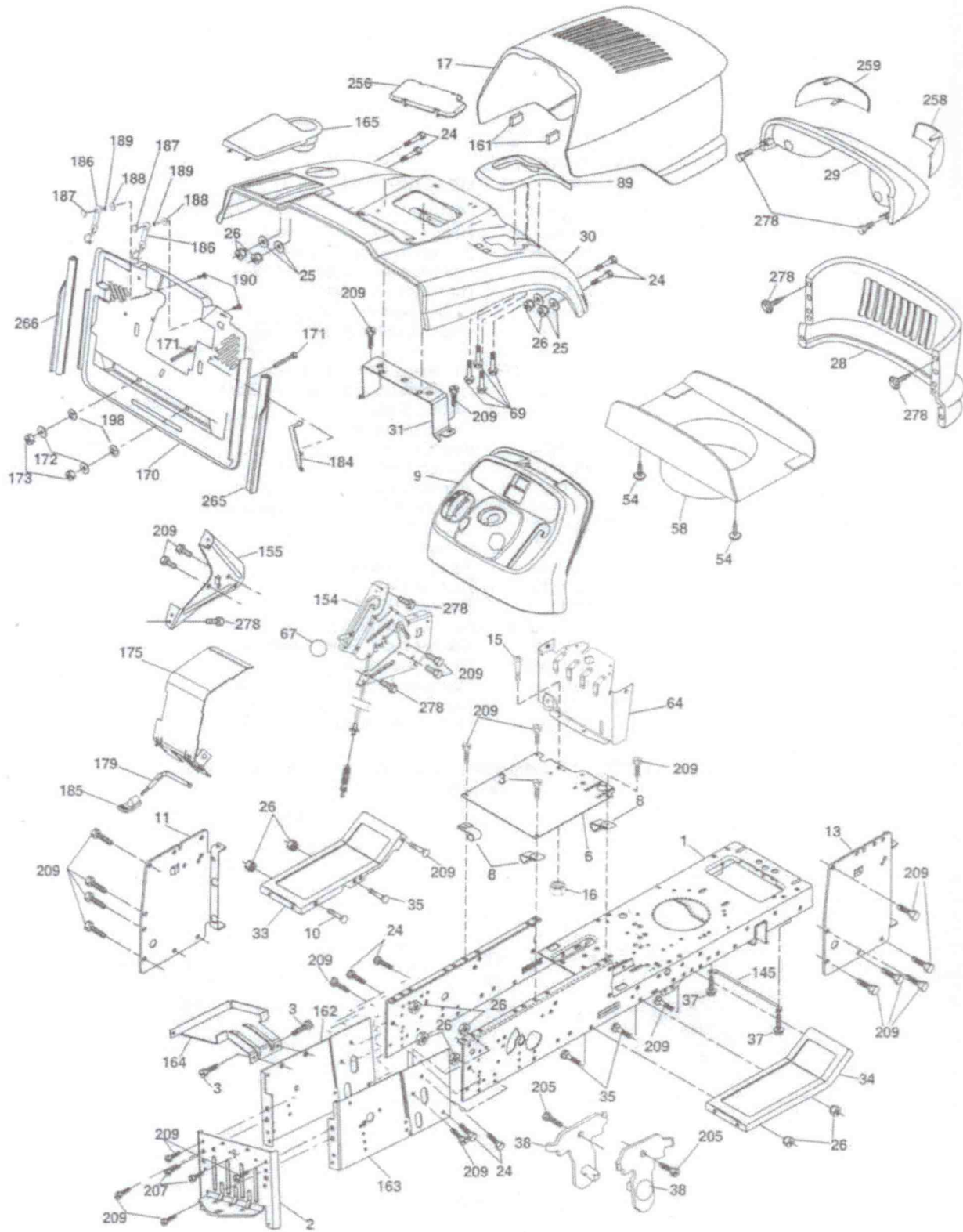
TRACTOR- -MODEL NO. 917.254601

KEY NO.	PART NO.	DESCRIPTION
1	163465	Battery
2	74760412	Bolt Hex Hd 1/4-20 unc x 3/4
16	176138	Switch Interlock Push-In
21	175688	Harness Asm Light w/4152J
22	4152J	Bulb Light #1156
24	165987	Cable Battery Crd 56" Red
25	421299	Cable Starter 6 Ga. 11" Red
26	175158	Fuse
27	STD541425	Nut Keps Hex 1/4-20 unc
28	127725X	Cable Ground 6 Ga. 18" Black
29	192749	Switch Seat
30	193350	Switch Ignition
33	411934	Key/Chain
34	110712X	Switch Light
40	197436	Harness Ign
41	71110408	Bolt Flk Fin Hex 1/4-20 unc x 1/2
42	131563	Cover Terminal Red
43	192507	Solenoid
48	140844	Adapter Ammeter
58	169419	Buzzer Crd
59	180379	Switch FBI CRD
66	17490608	Screw Thdrol 3/8-16 x 1/2 Ty-Tt
79	175242	Socket Asm. Bulb Twistlock
81	109748X	Relay Asm
92	196615	Harness Pigtail
93	192540	Screw 10-14 x 2.0
94	191834	Module Reverse

NOTE: All component dimensions given in U.S. inches.
1 inch = 25.4 mm.

TRACTOR- -MODEL NO. 917.254601

CHASSIS AND ENCLOSURES



Chassis-CRD_STEALTH SRS_1

TRACTOR- -MODEL NO. 917.254601

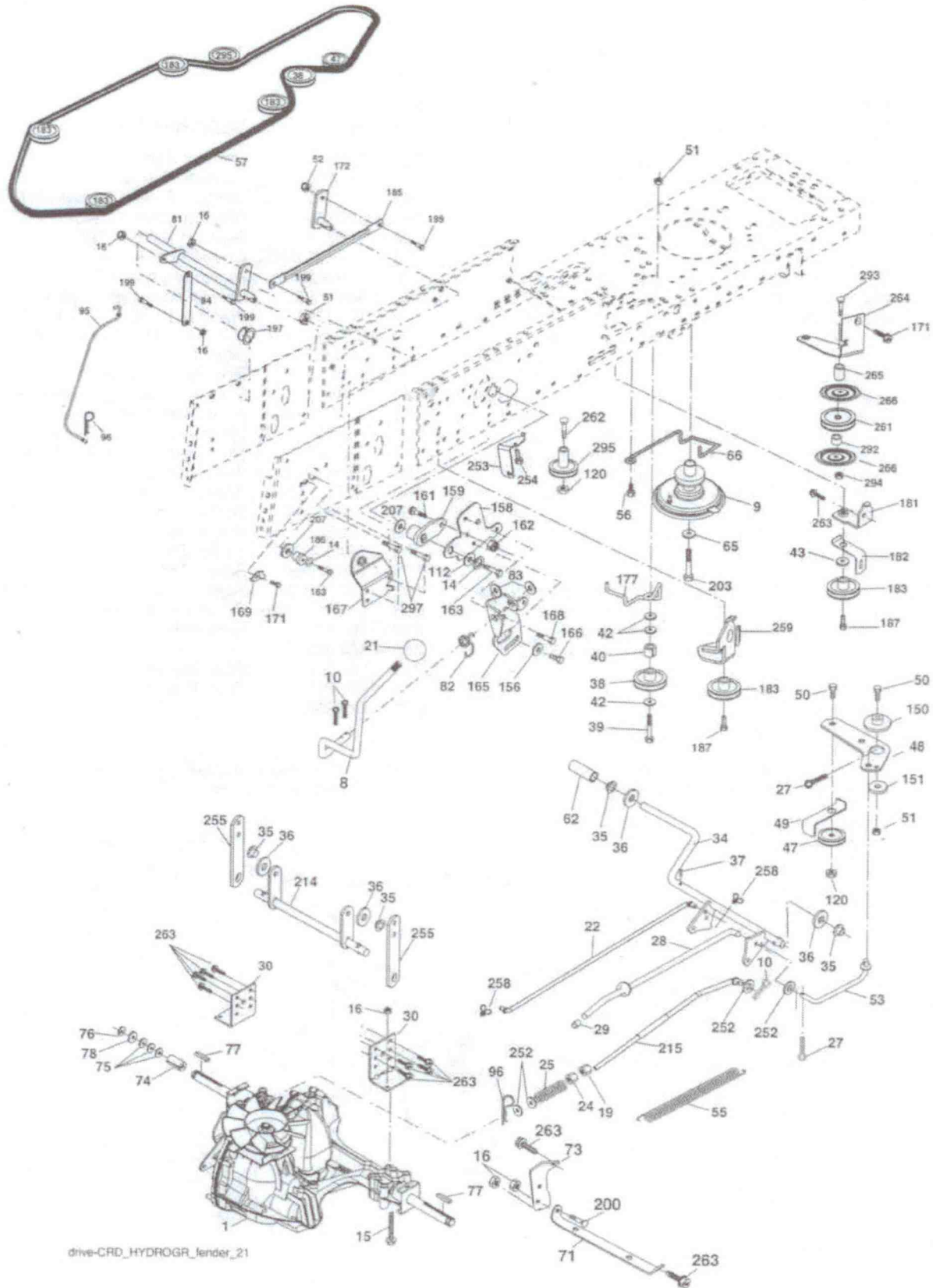
CHASSIS AND ENCLOSURES

KEY NO.	PART NO.	DESCRIPTION	KEY NO.	PART NO.	DESCRIPTION
1	174620	Chassis Assembly	155	183926	Bracket Asm.
2	180384	Drawbar	161	164655	Bumper Extrusion
3	17060612	Screw 3/8-16 x .75	162	180382	Bracket Exten Chassis LH CRD
6	184419	Saddle	163	180383	Bracket Exten Chassis RH CRD
8	126471X	Clip Insulator 13/32 Mtg. Hole	164	165605	Support Battery CRD
9	193611X428	Dash	165	179020X428	Cover Battery CRD Lt
10	STD533710	Bolt, Carriage 3/8-16 x 1	170	199488	Backplate Asm CRD
11	167203	Panel, Dash, LH	171	72140620	Bolt Rdhd Sqnk 3/8-16 x 2-1/2
13	188702X010	Panel, Asm. Dash RH	172	19132016	Washer 13/32 x 1-1/4 x 16 Ga.
15	74180512	Screw, Machine, Truss Head 5/16-18 unc x 3/4	173	STD541437	Nut, Keps Hex 3/8-16 unc
16	STD541431	Nut Keps 5/16-18 unc	175	188203	Door Trap
17	175259X615	Hood Assembly	179	188202	Rod Pivot FBI CRD
24	STD523710	Bolt Fin Hex 3/8-16 unc x 1. Gr. 5	184	174662	Bracket Actuator Bagger CRD
25	19131312	Washer 13/32 x 13/16 x 12 Ga.	185	179608X505	Knob Rod Brake Parking
26	STD541437	Nut Lock Hex w/Ins 3/8-16 unc	186	160793	Latch Asm Mulch/Bagger
28	174515X615	Grille	187	2029J	Nut Weid .327/.304 #10-24
29	179763	Lightbox Asm.	188	19061216	Washer #10
30	192533X615	Fender	189	STD551110	Washer Lock #10
31	165156	Bracket, Fender Support	190	71081010	Screw Pan Hd Phillips 10-24
33	179716X615	Footrest, LH	198	168937	Nut, Push
34	179717X615	Footrest, RH	205	17490608	Screw Thdrol 5/8-16 x 1/2
35	STD533107	Bolt RDHD SHT SQNK 3/8-16 x 3/4	207	17670508	Screw Thdrol 5/16-18 x 1/2
37	17490508	Screw Thdrol 5/16-18 x 1/2 TYT	209	17000612	Screw Hex Wsh Thdrol 3/8-16
38	181748	Pivot Bracket Assembly	256	180810X428	Cover Fender Rack
54	192512	Screw Wshd Hex 10-32 x 5/8	258	161842	Lens RH
58	190308	Duct Air Hood	259	161841	Lens LH
64	199395	Dash Lower	265	185704	Seal Side RH
67	106932X	Knob Rd. 3/8-16	266	185703	Seal Side LH
69	142432	Screw Hex 1/4-1/2 unc	278	416358	Screw #10 x 0.750 BOS THREAD
89	192391X428	Console			
145	409167	Rod Pivot Chassis/Hood			
154	194828	Clutch Asm. Noram			

NOTE: All component dimensions given in U.S. inches.
1 inch = 25.4 mm.

TRACTOR- -MODEL NO. 917.254601

DRIVE



drive-CRD_HYDROGR_fender_21

